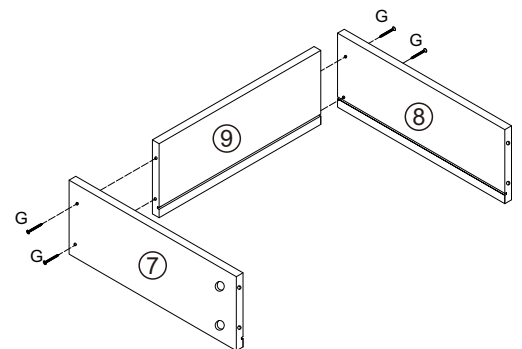
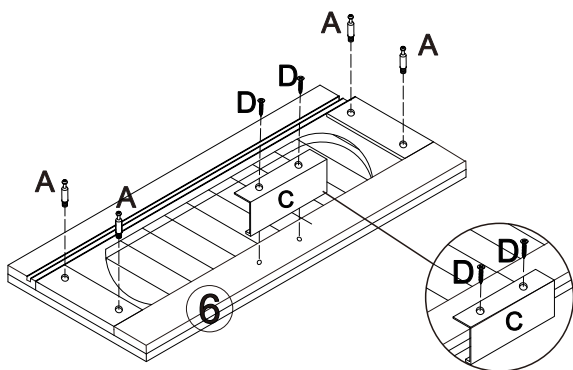
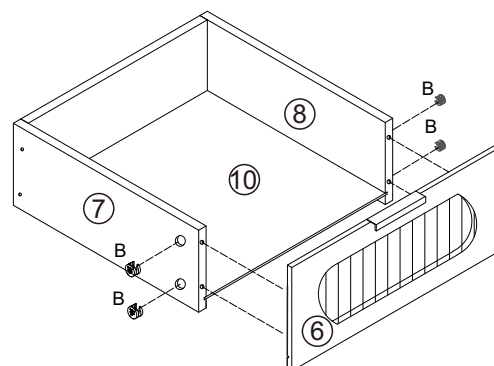
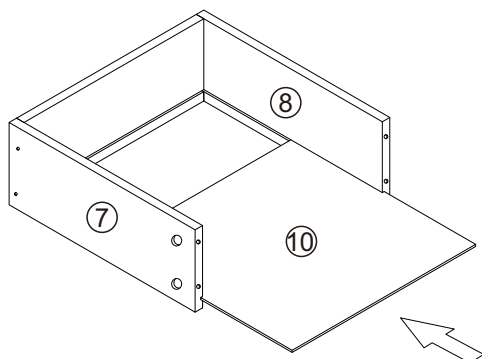


A		8 PCS
B		8 PCS
C		1 PCS
D		2 PCS
E		1 PCS
F		8 PCS
G		8 PCS
H		4 PCS
I		4 PCS
J		4 PCS
K		8 PCS

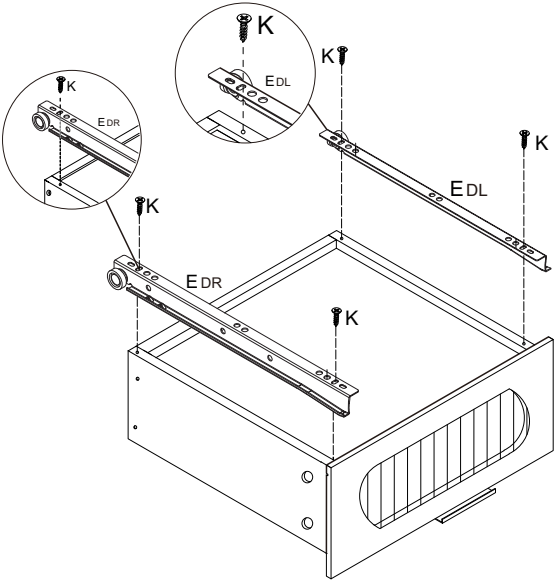
- 1** Attach the handle (C) using screw (D) & cam bolt (A) on piece 6.
 Attach pieces 7, 8, & 9 using screws (G).
 Make sure that the built-in ridge is facing inwards and at the bottom.



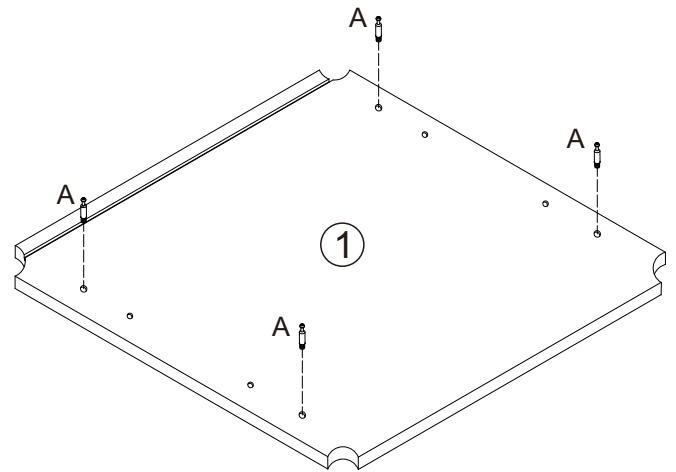
- 2** Slot piece 10 into the ridges. First insert the cam locks (B) into the pre-drilled holes on parts 7 & 8.
 Line up these screws with the pre-drilled holes on the front piece 6. Once attached, tighten the cam locks (B) using a cross-head screwdriver and ensure the piece is secure.



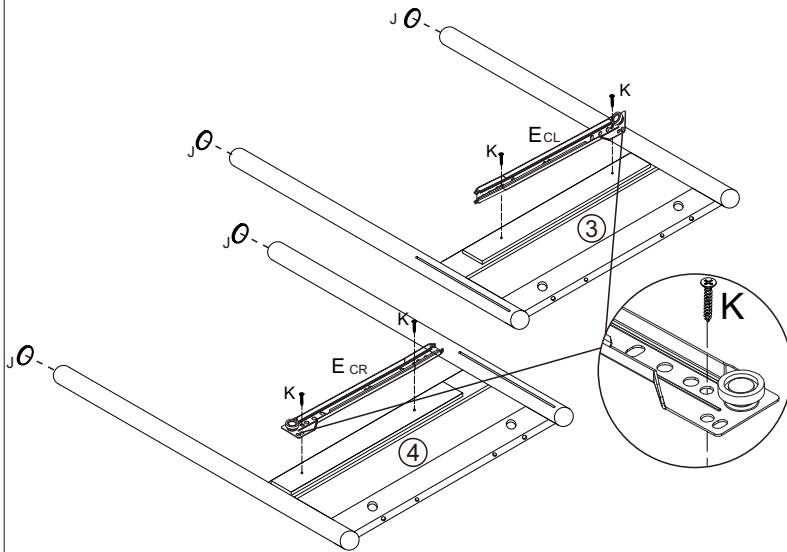
- 3** Turn the drawer upside down. Line up the holes on the outside pieces with the holes on the runners (EDR & EDL), secure to the drawer using screws (K).



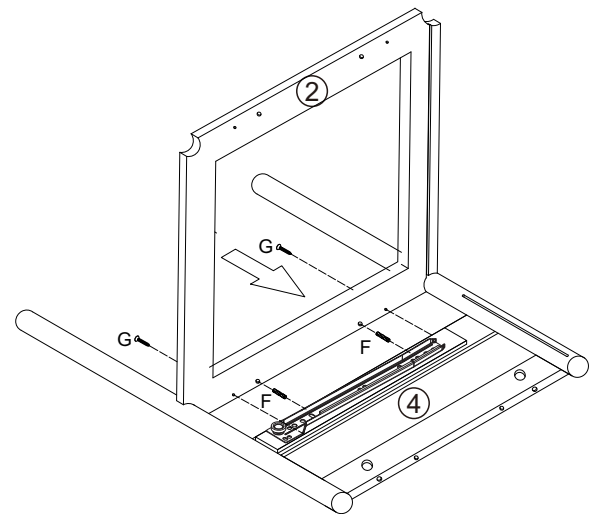
- 4** Attach cam bolt (A) on piece 1.



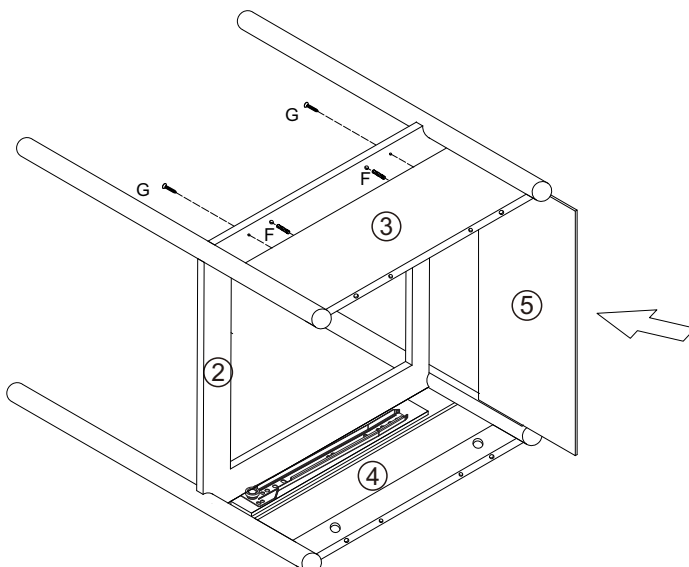
- 5** Attach the runners (E) to pieces 3 and 4 as shown. Use screws (K). Put Caps (J) on the leg.



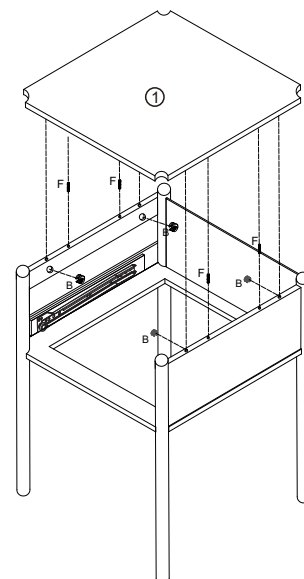
- 6** Then attach pieces 2 to piece 4 using screws (G) and wooden dowel (F).



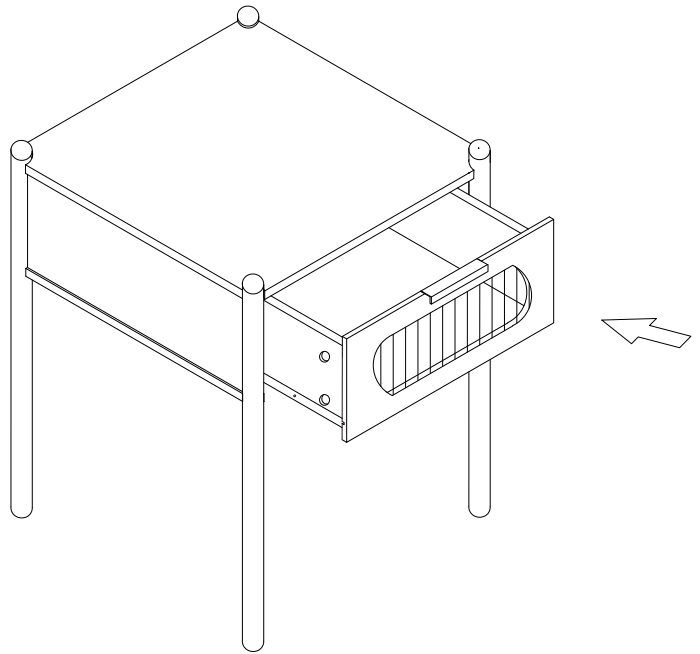
- 7** Attach pieces 3 to piece 2 & 4 using screws (G) and wooden dowel (F). Slot in piece 5 to the built-in ridges.



- 8** Attach the unit to Top panel 1 using wooden dowels (F) and cam locks (B).



9 Turn the unit the right way up and insert the drawers.



10 Put the plastic corner support (H) on the backboard 5 using screws (I).
The unit should now be assembled and ready to use.

